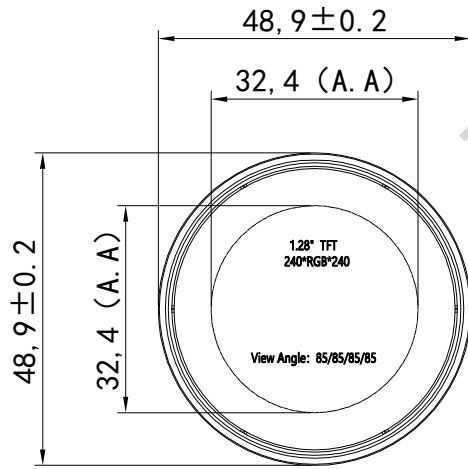


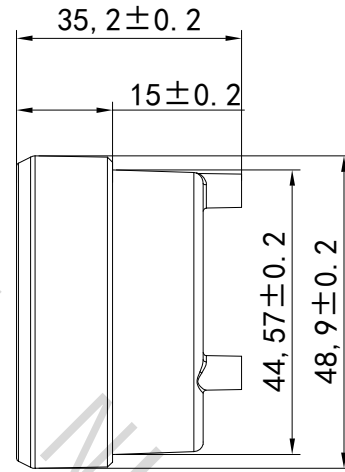
1 2 3 4 5 6

RoHS HF REACH

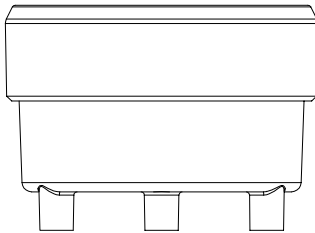
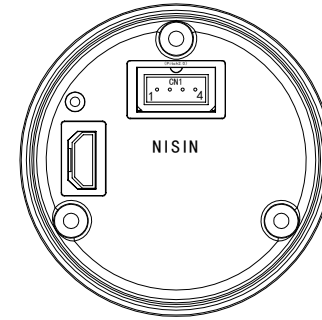
正视图



侧视图



后视图



CN1

NO	PIN
01	VDD (5V)
02	GND
03	TXD
04	RXD

REVISION RECORD

DATE

NISIN

SHENZHEN NISIN
OPTOELECTRONICS CO., LTD

①		
②		
③		
④		
⑤		
⑥		

DRAW TYPE :
ASSY-Outline

DRAW NO. : NS128HWINB-A000-K

Ver. : V00

SCALE : N.T.S.

DRAWN

DATE

UNIT : mm

CHECKED

DATE

PRO.(3):

APPROVED

DATE

SHEET : 1/1