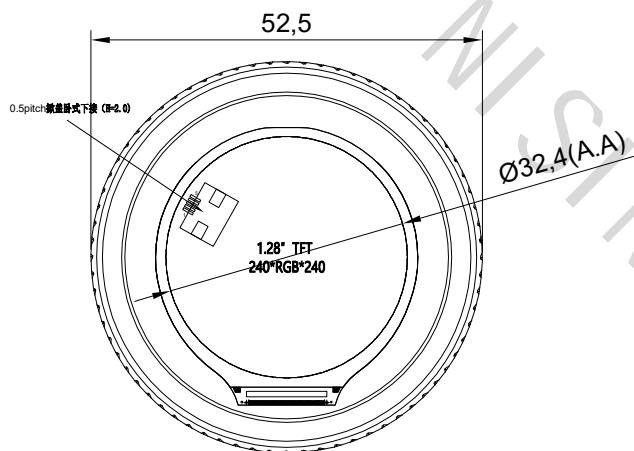
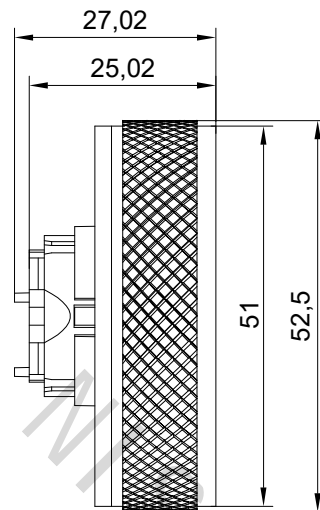


RoHS HF REACH

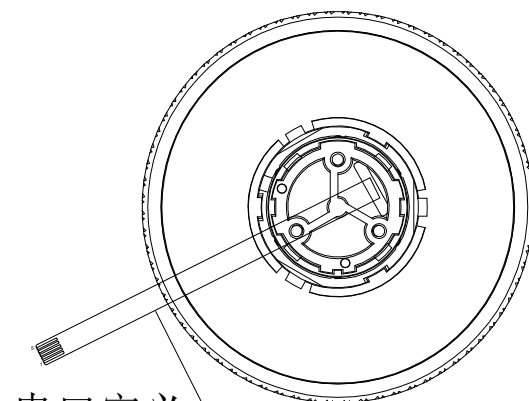
正视图



侧视图



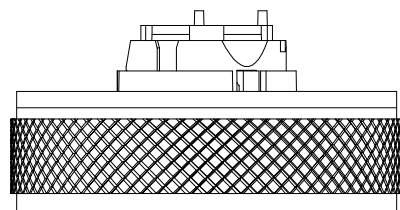
背视图



串口定义

1	BUSY
2	GND
3	VDD (5V)
4	TX
5	RX

FFC线5PIN (0.5Pitch)



金属滚纹外壳

REVISION RECORD		DATE	NISIN SHENZHEN NISIN OPTOELECTRONICS CO., LTD			
①	初版		DRAW TYPE. : ASSY-Outline		DRAW NO. : NS128HWINE-A000-K	
②					Ver. : V00	SCALE : N.T.S.
③			DRAWN		DATE	UNIT : mm
④			CHECKED		DATE	PRO.(3):
⑤			APPROVED		DATE	SHEET : 1/1